

# YS-800

## STRAINERS

### GENERAL FEATURES

Cona YS-800 Scraper Holders have a wide range of uses to filter foreign materials in pipelines. Cona YS-800 is designed as a Y-Type strainer and it is an indispensable equipment for long life and healthy operation of many equipment in the system. This strainers are designed to be easy to clean and maintain without removing from the line.

Cona YS-800 strainers' filter easy to clean by removing it from the strainer easily.

### HOW TO CLEAN STRAINERS?

Cona YS-800 strainer's dirt holder can be removed easily and it can clean easily. The tapes should be disassembled at certain periods and the dirty that accumulates in the strainer should be cleaned. This accumulation reduces the flow rate. Reduces water efficiency and leads to malfunction in products.

For example, depending on the pollution from your faucet, you should clean filters of faucets when water is not flow.

**Product Material:**

Body: AISI 304/316 Stainless Steel  
Cover: AISI 304/316 Stainless Steel

**Pressure:**

Max. 40 bar

**Applications:**

- Water Lines
- Condensate Lines
- Compressed Air Lines
- Gas Lines
- Oil Lines
- Pump and Armature Inputs
- Hot and Cold Water Lines

**Connection:**

Threaded

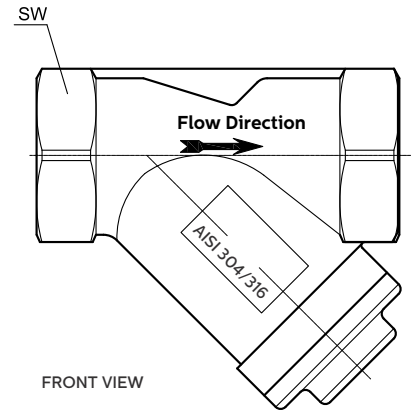
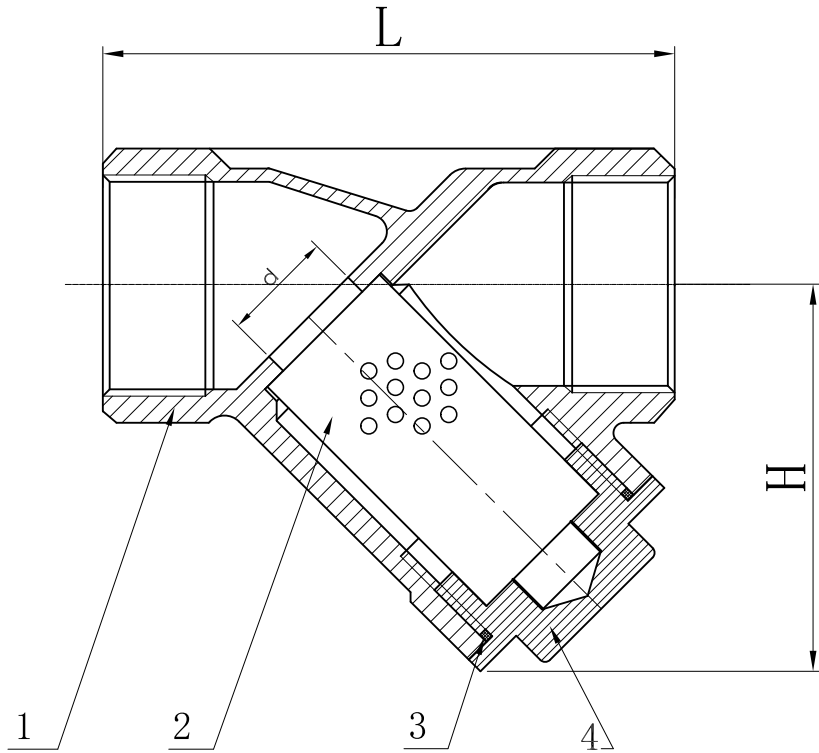
**Temperature Range:**

-25 °C - 180 °C

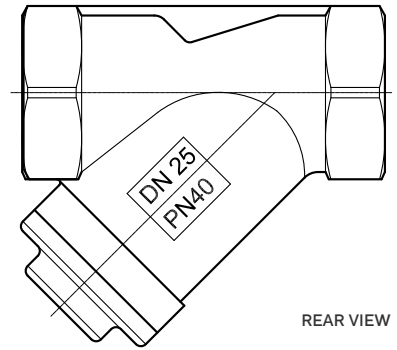
**Nominal Diameter:**

DN15 – DN50

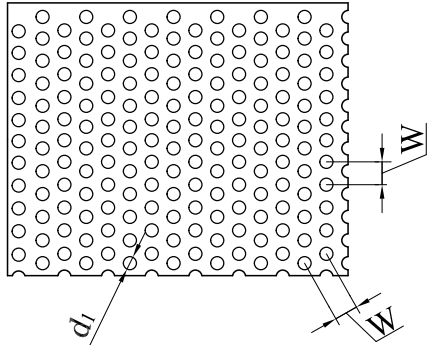
# YS-800 STRAINERS



FRONT VIEW



REAR VIEW



No	Part	Material
1	Body	AISI 304/316
2	Filter	SS 304/316
3	Gasket	PTFE
4	Cover	AISI 304/316

DN	d	L	H	SW	K	W	Kg	d1
DN15	15	64	45	26	12	2	0,2	1
DN20	20	80	52	32	13	2	0,32	1
DN25	25	90	68	40	16	2	0,56	1
DN32	32	106	70	48	19	2	0,73	1
DN40	38	119	80	55	18	2	1,04	1
DN50	50	140	98	68	22	2	1,63	1

\*All dimensions are " mm "