



KV-8

BUTTERFLY VALVE/LUG TYPE

GENERAL FEATURES

The closing element in the butterfly valves is a rotating shaft that is placed on a vertical axis. The sealing is provided between the metal flap and the elastic or plastic sealing elements covering the inside of the body. The sealing element also serves as a flange seal between the valve and the pipe.

Advantages of such valves are; low pressure loss, easy opening and closing, good sealing, light weight and small footprint.

The Cona KV-8 Lug Type Butterfly Valves should be checked to see if they are moving freely during the installation. The valve stem may be horizontal or vertical. However, horizontal installation on DN300 should be preferred.

Product Features:

Body: GG25 Cast iron

Disc: GGG 40.3 Ni Plated Cast Iron

Stem: DN25-DN300=SS420

DN350-DN600=SS431

Connection: Lug Type

Max. Working Temperature: 130 °C

Application Areas:

- Heating, ventilating and air conditioning systems
- Water treatment and distributing systems
- Mining industry
- Shipbuilding and drilling plant
- Food and chemistry industries
- Fire extinguisher systems
- Water, sea water, dust, gas, wastewater and air

Notes:

It is recommended to use reducer type for all diameters in butterfly valves. There are only reducer type production on DN350 and above Butterfly valves.

Actuator Types

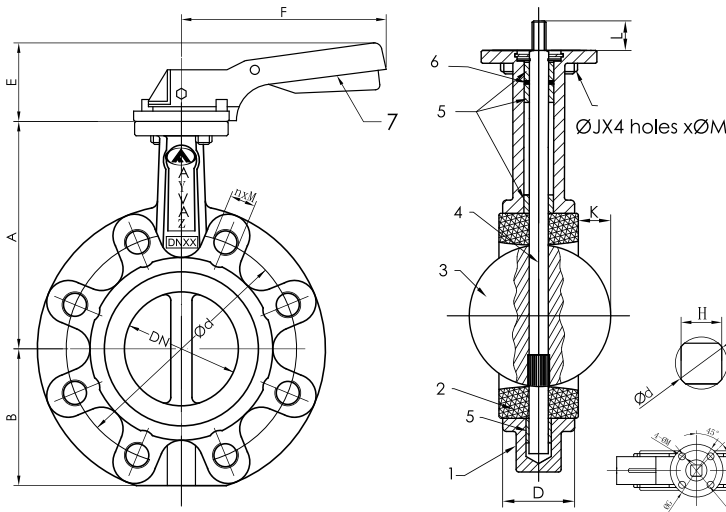
- Hand operated
- Reducer
- Single Action Pneumatic Actuator
- Double Action Pneumatic Actuator
- With Electric Actuator / On-Off (Manual Arm)

Pressure Class	Diameter (mm)
PN16	DN (25-300)
PN10	DN (350-600)

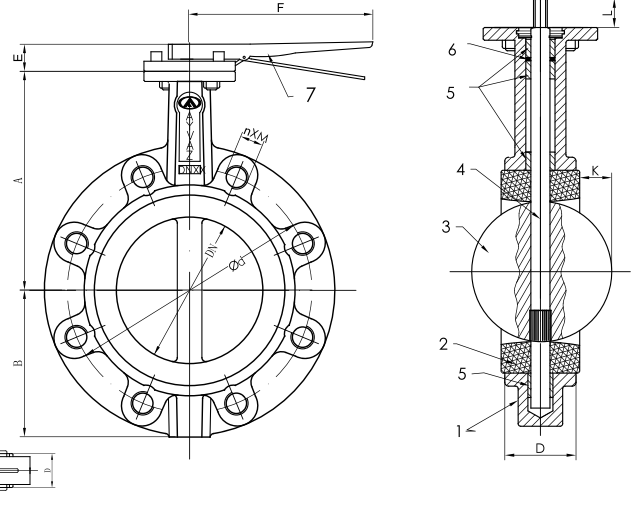
Gasket Material	Min. Temp. (°C)	Max. Temp. (°C)
H-EPDM	-10	130

KV-8 BUTTERFLY VALVE/LUG TYPE

DN25-DN150

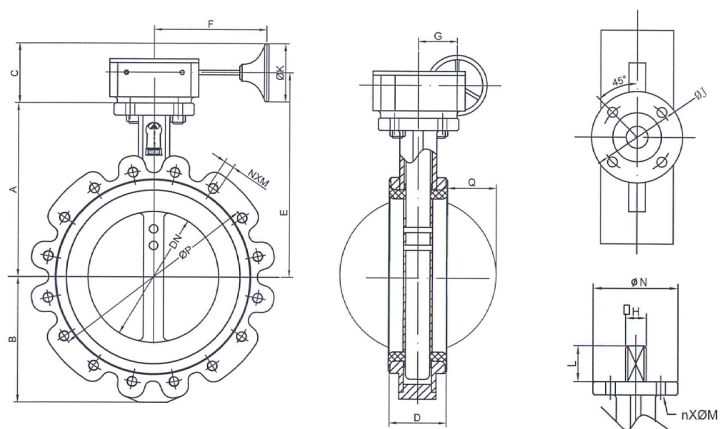


DN200-DN300



DN	A	B	K	D	E	F	H	ØJ	ØG	L _{min}	ØM	Ød	PN16		Weight (kg)
	±2	±2	±2	±1	±1	±1	±0.5	±1	±1	±1	±1	±0.5	Ød	n x d1	
25	121	53	-	33	70	195	7x7	50	65	32	7	9	85	4xM12	2,4
32	121	57	-	33	70	195	7x7	50	65	32	7	9	100	4xM16	2,5
40	130	61	2.65	33	70	195	9x9	50	65	32	7	11,8	110	4xM16	3
50	136,5	77	2.9	43	70	195	9x9	50	65	32	7	11,8	125	4xM16	3,5
65	142	87,5	6.9	46	70	195	9x9	50	65	32	7	11,8	145	4xM16	4,2
80	158	95	14.5	46	70	195	9x9	50	65	32	7	11,8	160	8xM16	5,5
100	180	107	23.7	52	70	195	11x11	50	65	32	7	14,5	180	8xM16	6,7
125	192	121,5	32.3	56	71	278	14x14	70	90	42	9	18,9	210	8xM16	9,6
150	215	144	48	56	71	278	14x14	70	90	42	9	18,9	240	8xM20	11,6
200	241,5	171	68.7	60	40	355	17x17	102	125	36	11	22,5	295	12xM20	18,7
250	280	205	88.8	62	44	507	22x22	125	150	38	13	29,8	355	12xM24	31,5
300	310	235	109.8	78	44	507	27x27	125	150	38	13	31,6	410	12xM24	43

DN350-DN600

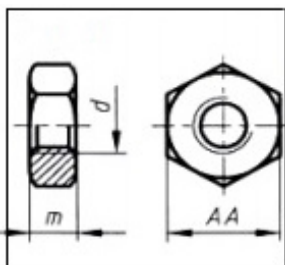


PRODUCT MATERIAL		
1	Body	GG25 Cast iron
2	Gasket	EPDM
3	Disc	GGG 40.3 Ni Plated Cast Iron
4	Shaft	SS420
5	Ring	Teflon
6	O-Ring	EPDM
7	Lever	Aluminum / Forged Iron

DN	A	B	D	ØJ	ØN	ØM	E	F	G	C	Q	ØK	H	L	Ød	PN10		Weight (kg)
	ØP	NxM																
350	367	266	78	125	150	14	412	223	78	190	127,8	300	27x27	45	31,6	470	16xM24	79,25
400	394	324	102	125	150	14	456	270	120	208	143,8	400	27x27	50	33,2	525	16xM27	122,6
450	419	341	114	165	210	22	481	270	120	258	163,3	400	30x30	50	37,94	585	20xM27	154,8
500	474	374	127	165	210	22	539	339	120	222	182,4	300	36x36	65	41,12	650	20xM30	228,25
600	565	478	154	165	300	22	630	339	120	222	219,3	300	46x46	70	50,62	770	20xM33	308,6

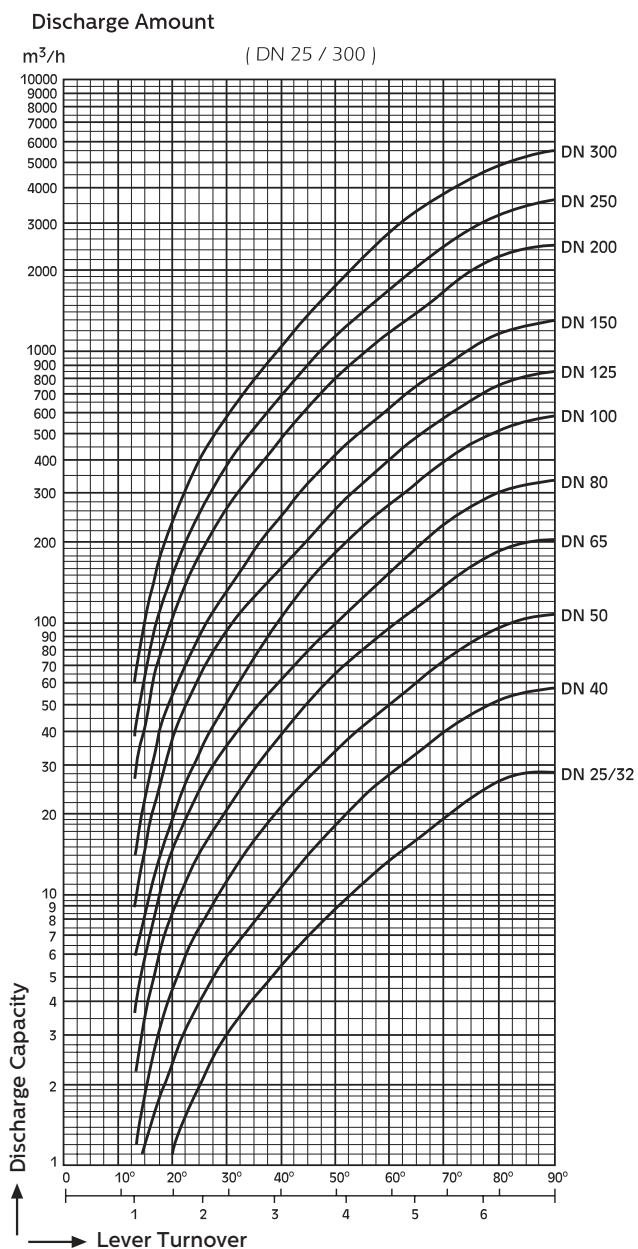
KV-8 BUTTERFLY VALVE/LUG TYPE

Screw Connection Dimensions



d (mm)	M10	M12	M16	M20	M24
AA	17	19	24	30	36
m	8	10	13	16	19

Dia. mm	Torque (Nm)	
	10 Bar	16 Bar
25	9	10
32	9	10
40	11	12
50	15	16
65	24	26
80	31	33
100	48	53
125	73	81
150	106	119
200	177	194
250	281	308
300	410	595
350	475	969
400	746	1307
450	1112	1787
500	1356	2288
600	2468	3711



Pipe Diameter		DISC OPENING ANGLE (DEGREE)								
MM	INC	10	20	30	40	50	60	70	80	90
40	1 ½	0,048	2,4	5,6	12	21,6	35,2	56	84	92
50	2	0,06	3	7	15	27	44	70	105	115
65	2 ½	0,10	6	12	25	45	75	119	178	196
80	3	0,20	9	18	39	70	116	183	275	302
100	4	0,30	17	36	78	139	230	364	546	600
125	5	0,50	29	61	133	237	392	620	930	1022
150	6	0,80	45	95	205	366	605	958	1437	1579
200	8	2	89	188	408	727	1202	1903	2854	3136
250	10	3	151	320	694	1237	2047	3240	4859	5340
300	12	4	234	495	1072	1911	3162	5005	7507	8250

KV-8 BUTTERFLY VALVE/LUG TYPE

3D APPLICATION SAMPLE

