

# V-3FP

## STAINLESS STEEL BALL VALVES WITH MOUNTING PAD

### GENERAL FEATURES

The main element in ball valves is a ball with a hole in the middle.

This is a 90 ° turn from full open position to full closed position. The ball valves are primarily used in places where it is necessary to open and close often or open and close quickly.

The advantages are low pressure losses, easy opening and closing, good sealing, light weight and low space occupancy.

Sealing; It is made up of two stages as a ball seal and a stem seal.

Ayvaz V-3FP Actuator Attachable Three Part Flanged Stainless Steel Ball Valves are subjected to 100% air test in open and closed position at 10 bar under water.

#### Product Material

Body: AISI316 / AISI304 Stainless Steel  
Ball: AISI316 / AISI304 Stainless Steel

**Connection:**  
Flanged

**Nominal Diameter:**  
DN15 (1/2" ) - DN100 (4" )

**Pressure:**  
Max. 40 bar

**Temperature Range**  
Based on material from -25°C to 180°C

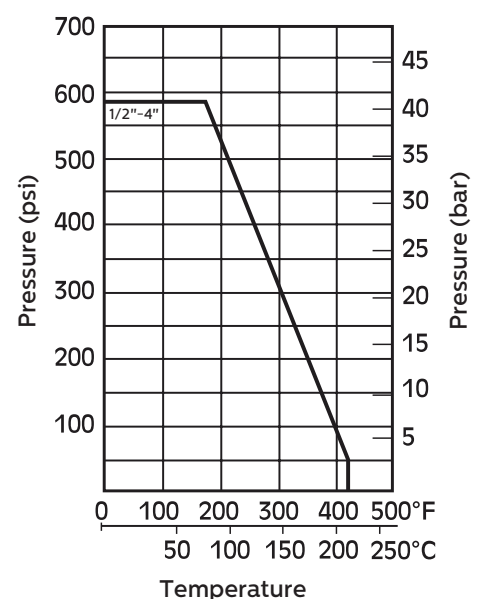
#### Application Areas

- Heating-cooling lines
- Food facilities
- Chemical industry
- Shipbuilding
- Paper factories

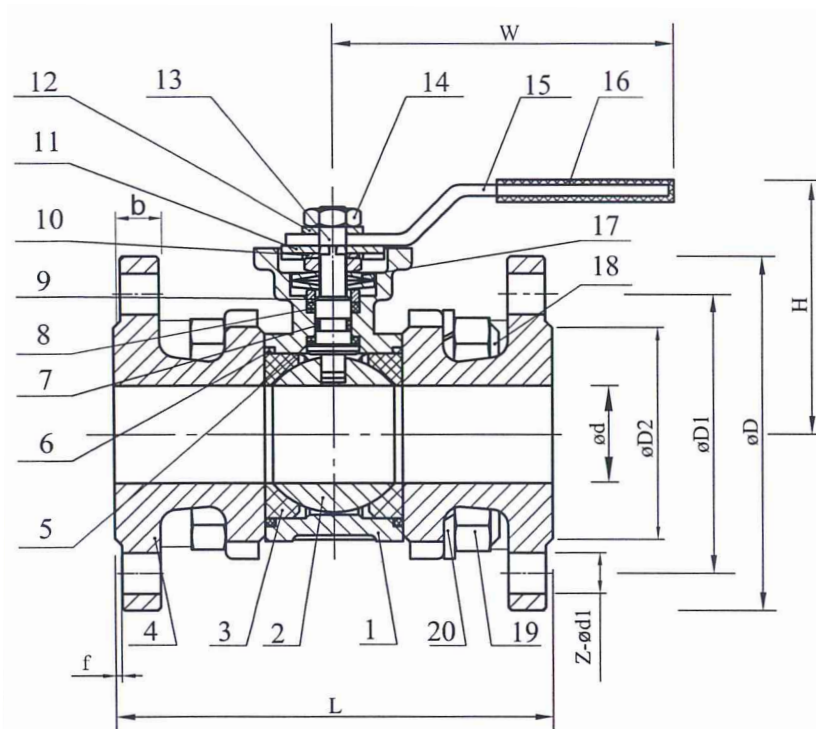
#### Installation:

Installation can be done in all positions.

Pressure - Temperature

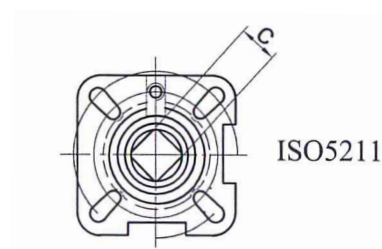


# V-3FP STAINLESS STEEL BALL VALVES WITH MOUNTING PAD



Product List		
No	Part Name	Material
1	Body	AISI 304/316
2	Ball	AISI 304/316
3	Ball Gasket	R-PTFE (15%)
4	Cover	AISI 304
5	Sealing Teflon	PTFE
6	Body Gasket	PTFE
7	O-Ring	VITON
8	Sealing Gasket	PTFE
9	Sealing	AISI 304/316
10	Washer	AISI 304
11	Stoper	AISI 304
12	Washer	AISI 304
13	Stem	AISI 304/316
14	Nut	AISI 304
15	Handle	AISI 304
16	Handle Cover	PLASTIC
17	String Washer	AISI 301
18	Bolt	AISI 304
19	Nut	AISI 304
20	Washer	AISI 304

DIMENSIONS													
Dia.	D	D1	D2	L	H	W	Z-Ø	Z1	f	b	N.m	kg	
DN15	1/2"	95	65	45	130	88	137	4-Ø 14	2	16	5	2	
DN20	3/4"	105	75	58	150	90	154	4-Ø 14	2	18	8	3	
DN25	1"	115	85	68	160	96	154	4-Ø 14	2	18	10	3,6	
DN32	1-1/4"	140	100	78	180	105	223	4-Ø 18	2	18	14	5,8	
DN40	1-1/2"	150	110	88	200	120	223	4-Ø 18	3	18	18	6,8	
DN50	2"	165	125	102	230	130	223	4-Ø 18	3	20	25	9	
DN65	2-1/2"	185	145	122	290	160	255	8-Ø 18	3	22	48	15	
DN80	3"	200	160	138	310	175	255	8-Ø 18	3	24	75	20	
DN100	4"	235	190	162	350	200	302	8-Ø 22	3	24	110	29	



ISO5211	c
F03/F04	9
F04/F05	11
F04/F05	11
F05/F07	14
F05/F07	14
F05/F07	14
F07/F10	17
F07/F10	17
F07/F10	17