

V-3TP

STAINLESS STEEL BALL VALVE WITH MOUNTING PAD

GENERAL FEATURES

The essential element in the ball valve is a ball which has a hole in the middle. This ball's 90° turn move it from fully opened to closed position. The ball valves are primarily used in places where it is necessary to open and close a lot or to open and close quickly.

The advantages are low pressure losses, easy opening and closing, good sealing, light weight and low space occupancy. Sealing; It is made up of two stages as a sphere seal and a shaft seal.

Cona V-3TP Actuator Pluggable Three-Piece Stainless Steel Ball Valves are subjected to 100% air test in open and closed positions under 10 bar. Actuator can be easily installed on these valve types.

Material Structure

Body: AISI316 / AISI304 Stainless Steel
Ball: AISI316 / AISI304 Stainless Steel

Connection:

Threaded

Nominal Diameter:

DN15 (1/2") - DN100 (4")

Pressure Range:

Max. 40 bar

Temperature Range:

Based on material -25°C to 180°C

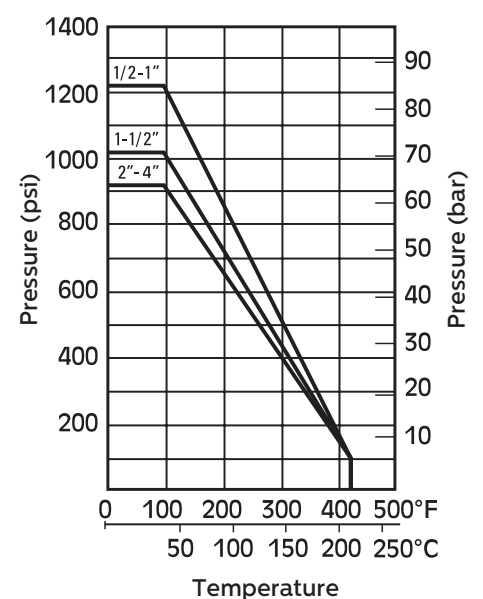
Application Areas:

- Heating-cooling lines
- Food facilities
- Chemical industry
- Shipbuilding
- Paper mills

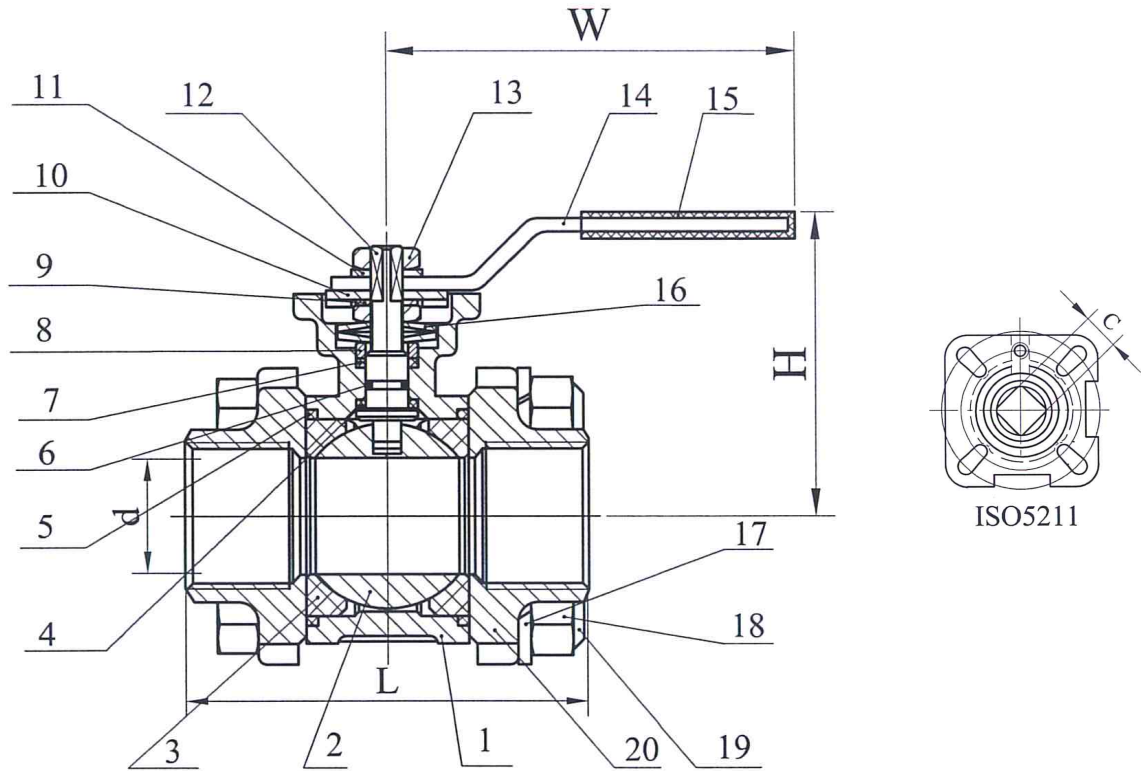
Installation:

Installation can be done in every position.

Pressure - Temperature Range



V-3TP STAINLESS STEEL BALL VALVE WITH MOUNTING PAD



PART LIST		
No	Part Name	Material
1	Body	AISI 304/316
2	Ball	AISI 304/316
3	Ball Gasket	R-PTFE (15%)
4	Sealing Teflon	PTFE
5	Body Gasket	PTFE
6	O-Ring	VITON
7	Sealing Gasket	PTFE
8	Sealing	AISI 304
9	Nut	AISI 304
10	Stopper	AISI 304
11	Nut	AISI 304
12	Stem	AISI 304/316
13	Gasket	AISI 304
14	Handle	AISI 304
15	Handle Cover	PLASTIC
16	Spring Nut	AISI 301
17	Nut	AISI 304
18	Nut	AISI 304
19	Bolt	AISI 304
20	Cover	AISI 304/316
21	Rivet	AISI 304

DIMENSIONS							
Dia.		L	H	C	W	ISO5211	N.m
DN8	1/4"	50	50	9	115	F03	4
DN10	3/8"	60	60	9	115	F03	4
DN15	1/2"	75	75	9	117	F03/F04	5
DN20	3/4"	80	80	11	134	F04/F05	8
DN25	1"	90	90	11	134	F04/F05	10
DN32	1-1/4"	110	110	14	203	F05/F07	14
DN40	1-1/2"	120	120	14	203	F05/F07	18
DN50	2"	140	140	14	203	F05/F07	25
DN65	2-1/2"	185	185	17	255	F07/F10	48
DN80	3"	205	205	17	255	F07/F10	75
DN100	4"	240	240	17	302	F07/F10	110